

# Standard manometer with bronze bourdon tube $\varnothing$ 63mm

**Type :**

**03304-P  
03304-TP  
03358-P**

**Application :**

For gaseous and liquid media that will not obstruct the pressure system or attack copper alloy parts.  
Manometers 03304-TP are assigned for measuring pressure of technical gases /OXYGEN, NITROGEN, ACETYLENE, CO<sub>2</sub>.../

**Description :**

**Construction**  
STN EN 837

**Protection**  
IP 43, according to STN EN 60 529

**Connection**  
Radial (lower), axial (back)

**Accuracy class**  
1,6 %

**Type / Diameter / Connection / Thread / Accuracy class**  
03304-P /  $\varnothing$  63 mm / radial / M12x1,5 (G1/4") / 1,6  
03304-TP /  $\varnothing$  63 mm / radial / M12x1,5 (G1/4") / 1,6  
03358-P /  $\varnothing$  63 mm / axial / M12x1,5 (G1/4") / 1,6

**Allowed temperature**  
ambient : -20 ... +60°C  
medium : max. +60°C

**Material**  
Measuring element : bronze bourdon tube „C“  
03304-TP – by gas  
Connection : brass  
Movement : brass  
Case : stainless steel 1.4301  
Visor : plastic  
Dial : white aluminium dial marking black  
Pointer : aluminium black color

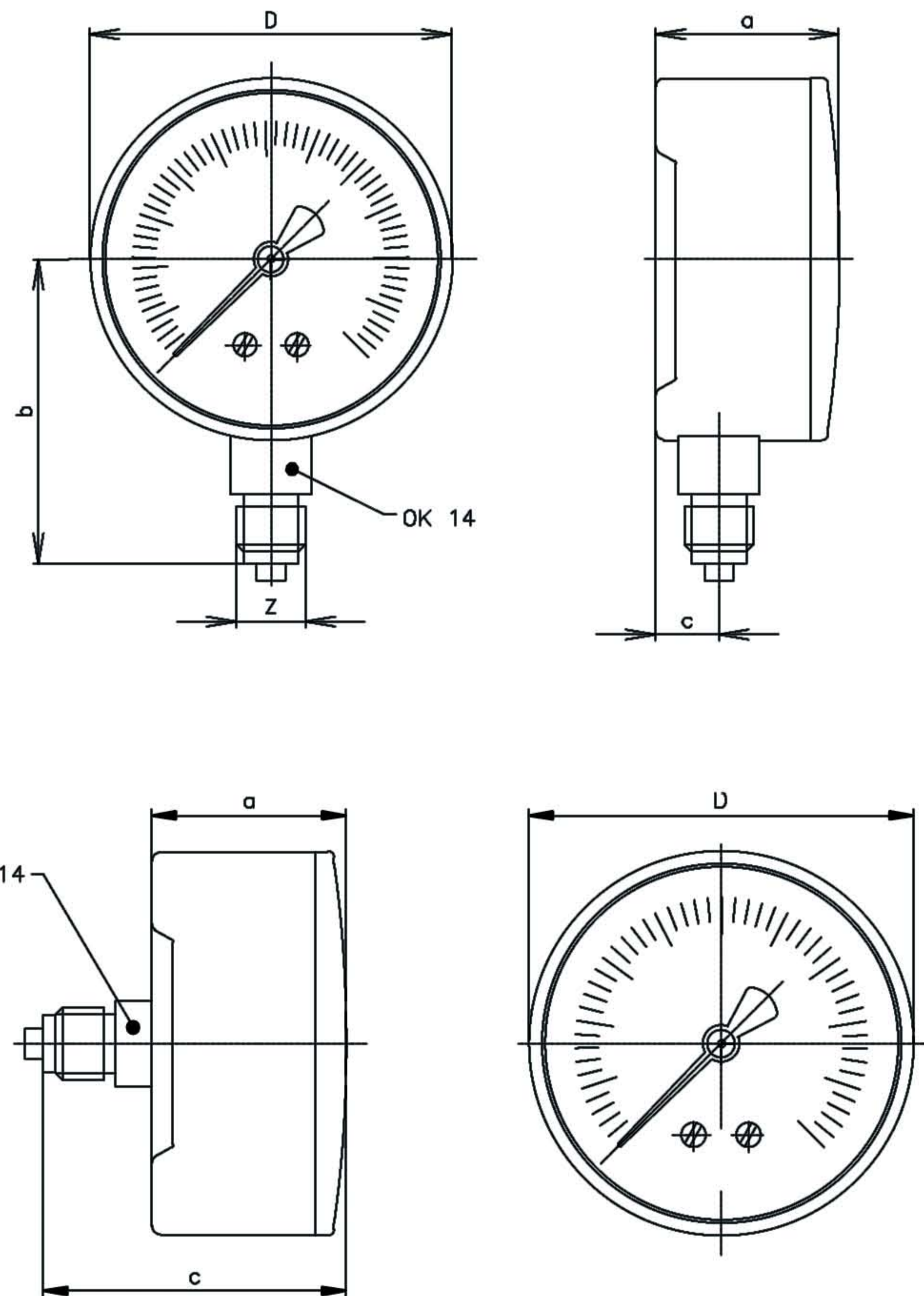
- Options**
- scala in units „bar“, „PSI“, and other
  - atypical eventually double scala
  - other connection (thread) on special request
  - option mounting with diaphragm separator
  - construction with trailing pointer
  - realization for OXYGEN



**Allowed loading**

Static : 75% from range  
Variable : 66% from range  
For a short term : 100% from range

**Dimensions of manometer (mm)**



TYPE	D	a	b	c	Z
03304-P	63	30	53	11	M12x1,5 (G1/4")
03304-TP	63	30	53	11	M12x1,5 (G1/4")
03358-P	63	30		51	M12x1,5 (G1/4")





## Standard manometer with bronze bourdon tube $\varnothing$ 63mm

Type :

**03304-P**  
**03304-TP**  
**03358-P**



Producing ranges

Range	Code of range	03304-P	03304-TP	03358-P
0-60kPa	01			
0-100kPa	02	X	X	X
0-160kPa	03	X	X	X
0-250kPa	04	X	X	X
0-400kPa	05	X	X	X
0-600kPa	06	X	X	X
0-1MPa	07	X	X	X
0-1,6MPa	08	X	X	X
0-2,5MPa	09	X	X	X
0-4MPa	10	X	X	X
0-6MPa	11	X	X	X
0-10MPa	12	X	X	X
0-16MPa	13	X	X	X
0-25MPa	14	X	X	X
0-31,5MPa	29	X	X	X
0-40MPa	15	X	X	X
-100-0kPa	20	X	X	X
-100-0-60kPa	21	X	X	X
-100-0-150kPa	22	X	X	X
-100-0-300kPa	23	X	X	X
-100-0-500kPa	24	X	X	X
-100-0-900kPa	25	X	X	X
-0,1-0-1,5MPa	26	X	X	X
-0,1-0-2,4MPa	27	X	X	X