

# Ethalon manometer with bronze bourdon tube with radial connection $\varnothing$ 160 mm

**Type :**                    **03402    0,6 %**  
                                  **03413-E   0,4 %**  
                                  **03413-E   0,25 %**

## Application :

For gaseous and liquid media that will not obstruct the pressure system or attack copper alloy parts. Manometers are intended for laboratory verification of the operating pressure gauges.

## Description :

### Construction

STN EN 837

### Protection

IP 43, according to STN EN 60 529

### Connection

Radial (lower)

### Accuracy class

0,6 %; 0,4 %; 0,25 %

### Type / Diameter / Connection / Thread / Accuracy class

03402 /  $\varnothing$ 160mm / radial / M20x1,5 (G1/2") / 0,6 %

03413-E /  $\varnothing$ 160mm / radial / M20x1,5 (G1/2") / 0,4 %

03413-E /  $\varnothing$ 160mm / radial / M20x1,5 (G1/2") / 0,25 %

### Allowed temperature

ambient :                -20 ... +60°C

medium :                max. +60°C

### Material

Measuring element :    bourdon tube berilium bronze CuBe2

Connection :            till 10MPa brass  
                                  from 16MPa stainless steel

Movement :            brass

Case :                    stainless steel 1.4301

Visor :                    glass

Dial :                     white aluminium dial marking black

Pointer :                 aluminium black color

### Options

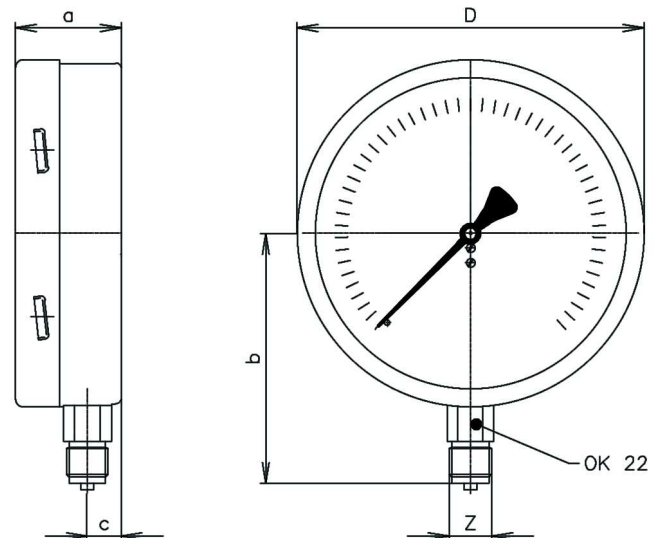
- front or back flange
- other connection (thread) on special request
- scala in units „bar“, „PSI“, and other
- atypical eventually double scala
- option mounting with diaphragm separator
- construction with trailing pointer
- filling with glycerine on special request
- realization for OXYGEN



### Allowed loading

Static :                    75% from range  
 variable :                66% from range  
 for a short term :      100% from range

### Dimensions of manometer (mm)



TYPE	D	a	b	c	Z
03402	161	49	117	16	M20x1,5 (G1/2")
03413-E	161	49	117	16	M20x1,5 (G1/2")

## Ethalon manometer with bronze bourdon tube with radial connection $\varnothing$ 160 mm

Type :                    **03402    0,6 %**  
                               **03413-E   0,4 %**  
                               **03413-E   0,25 %**



### Producing ranges

Range	Code of range	03402 0,6%	03413-E 0,4%	03413-E 0,25%
0-60kPa	01	X		
0-100kPa	02	X	X	X
0-160kPa	03	X	X	X
0-250kPa	04	X	X	X
0-400kPa	05	X	X	X
0-600kPa	06	X	X	X
0-1MPa	07	X	X	X
0-1,6MPa	08	X	X	X
0-2,5MPa	09	X	X	X
0-4MPa	10	X	X	X
0-6MPa	11	X	X	X
0-10MPa	12	X	X	X
0-16MPa	13	X	X	X
0-25MPa	14	X	X	X
0-40MPa	15	X	X	X
0-60MPa	16	X	X	X
0-100MPa	17	X	X	X
0-160MPa	18			
-100-0kPa	20	X	X	X
-100-0-60kPa	21	X	X	X
-100-0-150kPa	22	X	X	X
-100-0-300kPa	23	X	X	X
-100-0-500kPa	24	X	X	X
-100-0-900kPa	25	X	X	X
-0,1-0-1,5MPa	26	X	X	X
-0,1-0-2,4MPa	27	X	X	X